

MXP - Marine Auxiliary Power

Digital solution for condition-based maintenance (CBM)

A simplified design makes the ABB MXP marine auxiliary turbocharger easy to self-service and maintain.

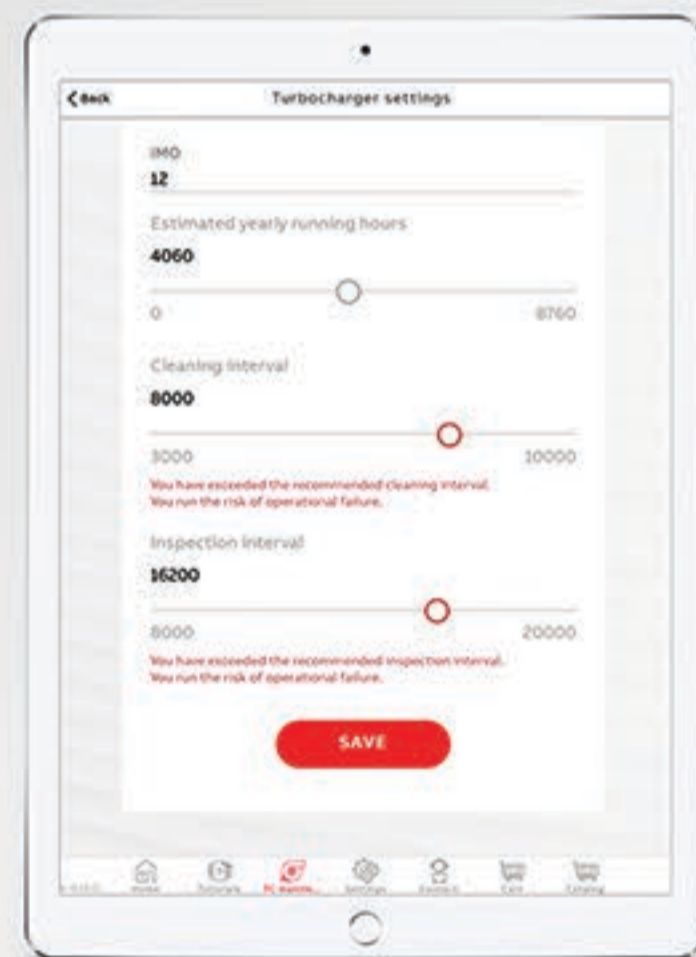
The self-service app

Condition-based maintenance (CBM) concept for MXP. Users can perform service themselves



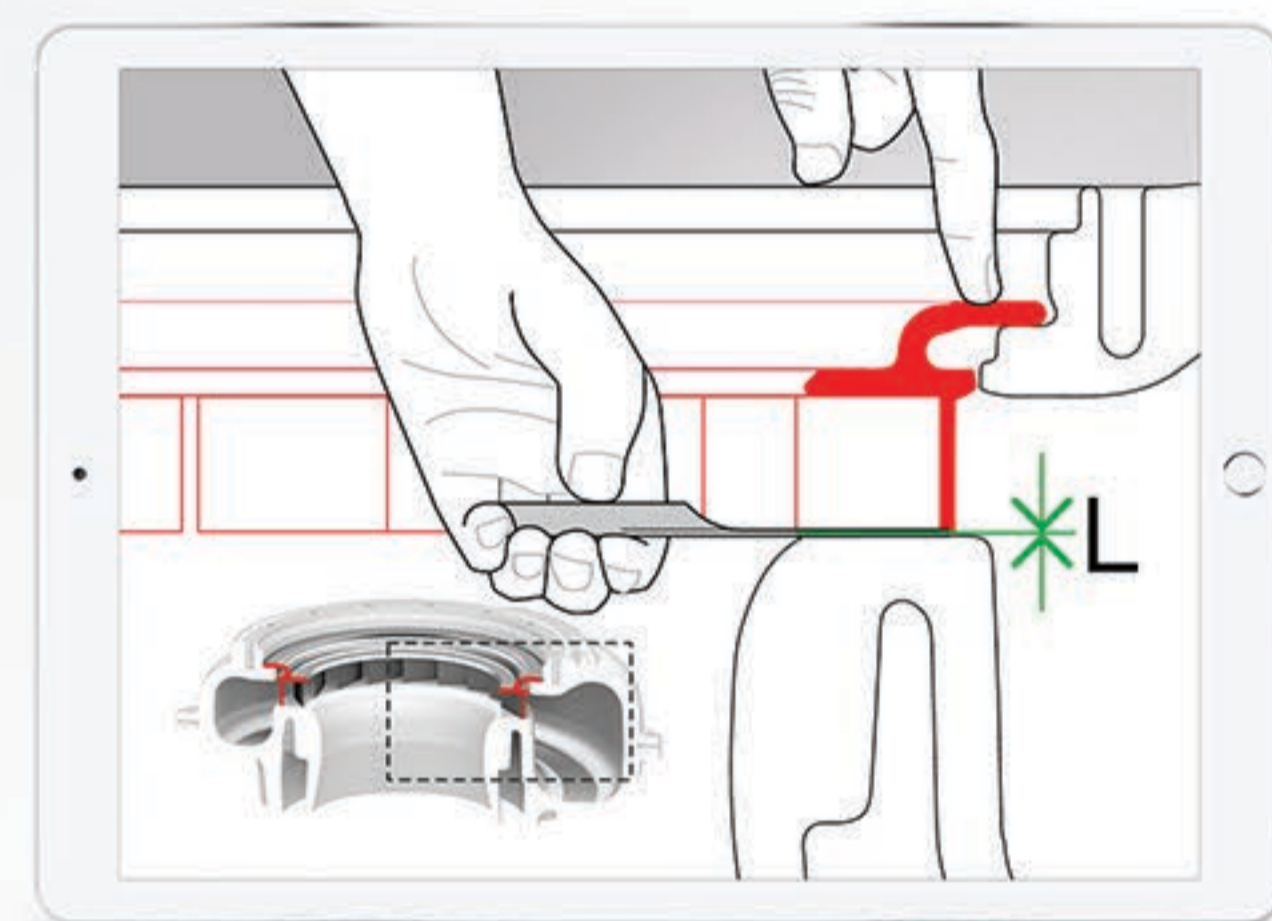
Get notification to perform service

Set your service intervals to receive service notification alerts



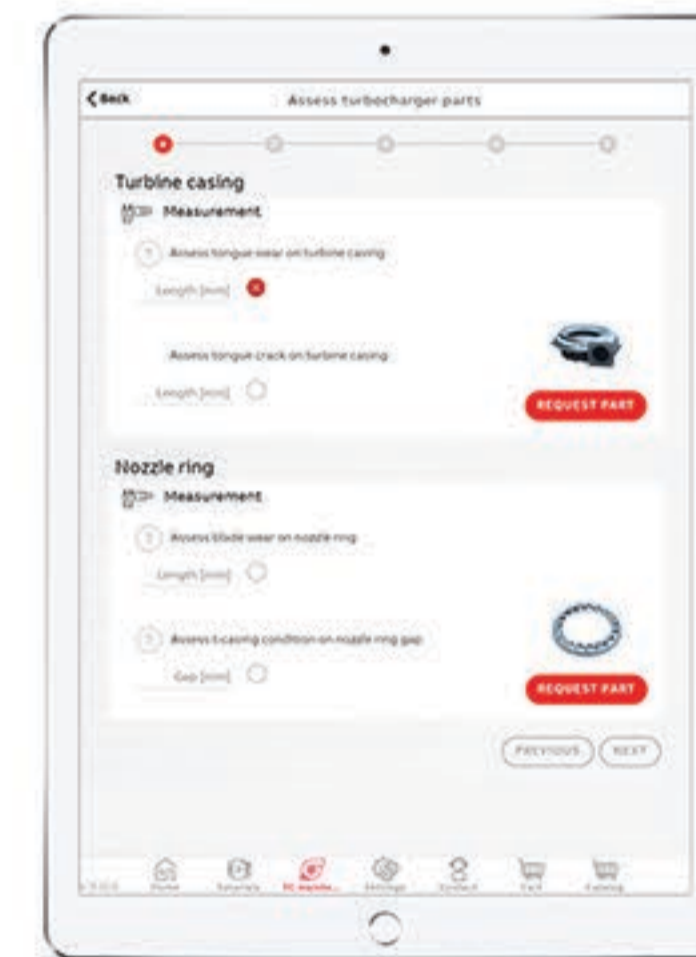
Check part condition yourself

Interactive guides show you how to check the condition of your MXP parts



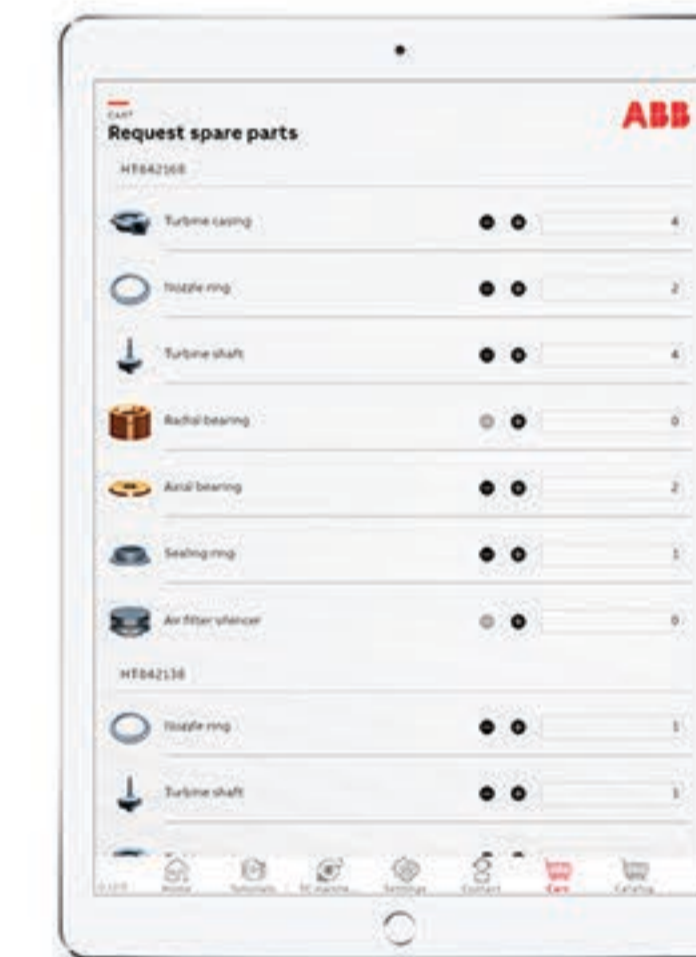
Assess parts condition yourself

Enter measurement values into app to assess parts condition



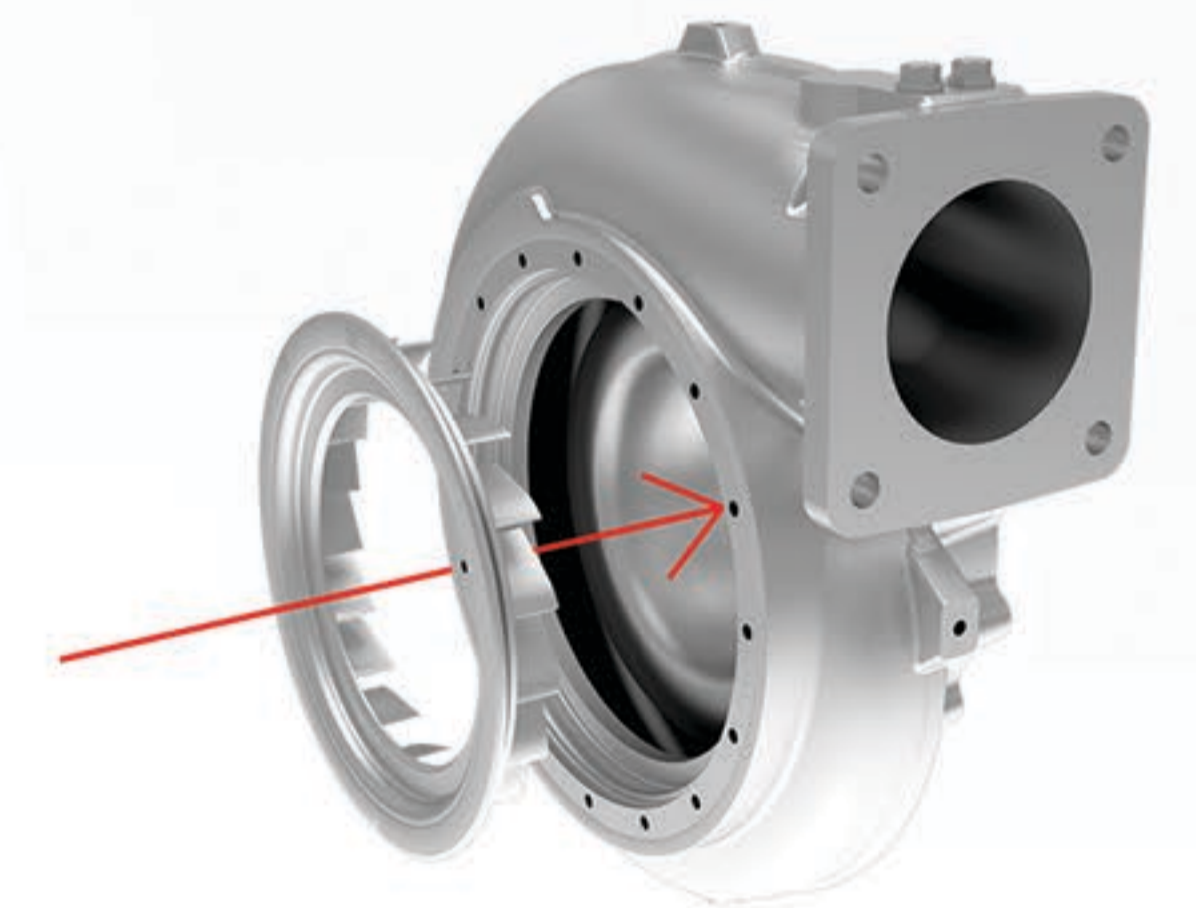
Request new parts online

Send parts order request via the app

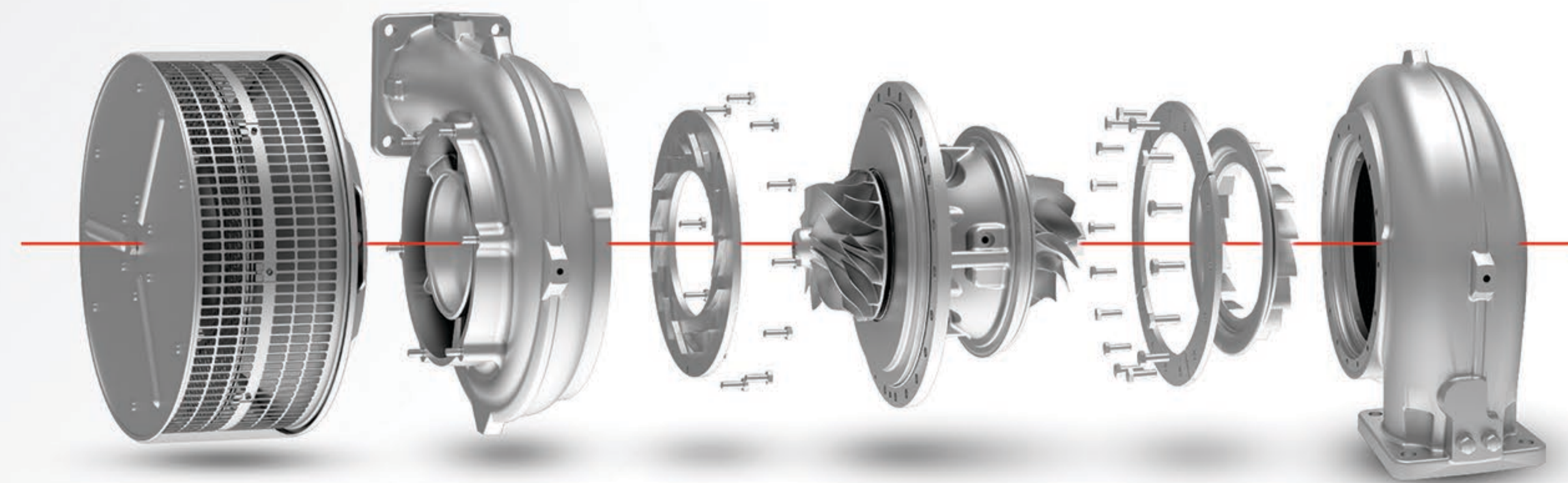


Perform service and update equipment record

You perform the service yourself and update the equipment records in the app



Designed for self-service



Benefits of MXP self-service concept

- Simplified turbocharger design for easy maintenance
- Full flexibility to perform service whenever, wherever
- Intuitive digital app with easy steps and instructions
- Perform maintenance yourself
- Save money on maintenance costs

